



**WILDERNESS  
EXPERIENCE**  
CHATSWORTH, CALIFORNIA



## The Sanctuary

With spacious wings stretching outward like shoulders girded against the wind, the Sanctuary awaits to shelter two in roomy comfort.

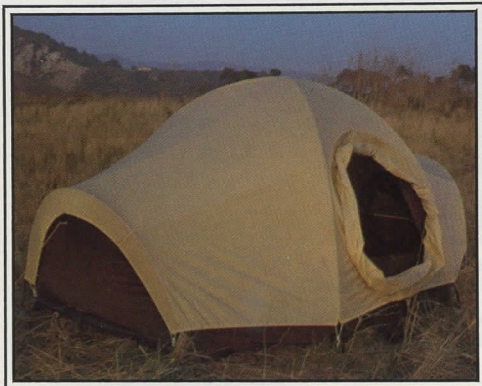
A price of under \$200 satisfied our desire to offer more value for the dollar than presently found on the tent market. Easy set up came when the structure

was established with a simple four hoop design: two large arcs form the midsection, with two others supporting the wings. The Sanctuary was made seven feet, five inches long and sixty-two inches wide at the central dome. The wings themselves are four inches wide at the ends, and 26 inches high while the dome becomes

the "living room" with over 43 inches of height. Entry is easy since there are two doors both a big 30 inches wide. No more stepping over your partner here. The doors and wing-end windows create a four-way ventilation system. The Sanctuary's flysheet is unique also.

Not only does it tighten with buckled straps at the hoops to prevent flapping in the wind, but the fly also expands the versatility of the tent with its door covers. One cover creates an awning to insure a dry entry on a wet night and the other is a storm tunnel. The tunnel allows a number of tents to be joined together.

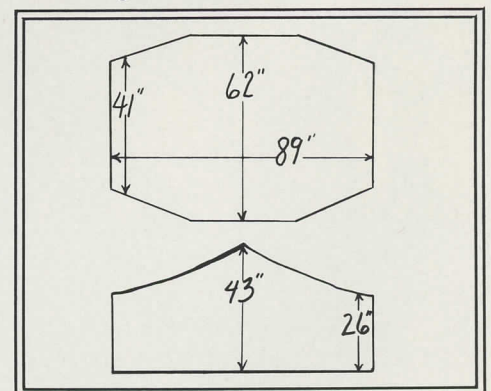
The Sanctuary includes a rainfly, poles, stakes, and stuff sack.  
 Pole Weight: 1 lb., 8 oz.  
 Tent Weight: 3 lb., 10 oz.  
 Fly Weight: 1 lb., 1 oz.  
 Total Weight: 6 lb., 3 oz.



the "living room" with over 43 inches of height.

Entry is easy since there are two doors both a big 30 inches wide. No more stepping over your partner here. The doors and wing-end windows create a four-way ventilation system.

The Sanctuary's flysheet is unique also.



was established with a simple four hoop design: two large arcs form the midsection, with two others supporting the wings.

We wanted a roomy tent so the Sanc-



## The Solace

Whether pitched head into a gale or beachside camping on a balmy summer's eve, the large, two-person Solace tent always lives up to the definition of its name—comfort!

After a few quick minutes of set-up, you can step in the large 39-inch high door and be relaxing in the aerodynamic



easy entry front door and no-see-um mesh panel and throw on the rainfly. It goes on quick with elastic attachments along the perimeter and buckled tension bands at the hoops. Exit from the tent now is through the covered rear storm door.

When sunshine returns, the storm door becomes a ventilating panel and the front door zips down for stargazing. The whole side of the tent is for ventilation. Zippered Super K-Kote® flaps cover a mesh strip running just at the top of the bathtub floor. Zip one way and you're as snug as can be; the other and it's like

you're in the open except there are no bugs!

The Solace includes rainfly, poles, stakes, and stuff sack.

Pole Weight: 1 lb., 2 oz.

Tent Weight: 3 lb., 14 oz.

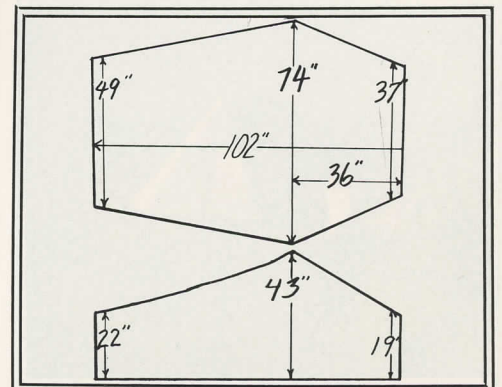
Fly Weight: 14 oz.

Total Weight: 5 lb., 14 oz.



vestibule that is over six feet wide. Here the headroom is 43 inches and from end to end there is eight feet, six inches to stretch out in.

If a storm rears its wet head, zip up the





## The Half Dome

The Half Dome creates a two-person environment designed for recreational use, but engineered to withstand the cruelest of conditions.

Three evenly spaced poles distribute the stress of high wind and snow loads while allowing for a large amount of usable floor space.



Headroom of 50 inches is accentuated by three spacious (30 inches wide) windows and an easy entry 43-inch wide door. The doors are all backed by Super

K-Kote® panels insuring waterproofness in the most driving of rains.

The canopy is breathable 1.9 oz. ripstop nylon, while the 18-inch sidewall and floor are constructed with 2.2 oz. Super K-Kote® nylon taffeta.

The fly is made from 2.2 oz. Super K-Kote® nylon taffeta and has a storm cover over the top of a fully zippered door. The entire perimeter is elasticized to stop flapping in high winds.

Incredibly easy to pitch, the Half Dome uses three equal sized shockcorded poles that are available either in fiberglass or aluminum. The interior is outfitted with three large personal mesh pockets and three lantern ties.

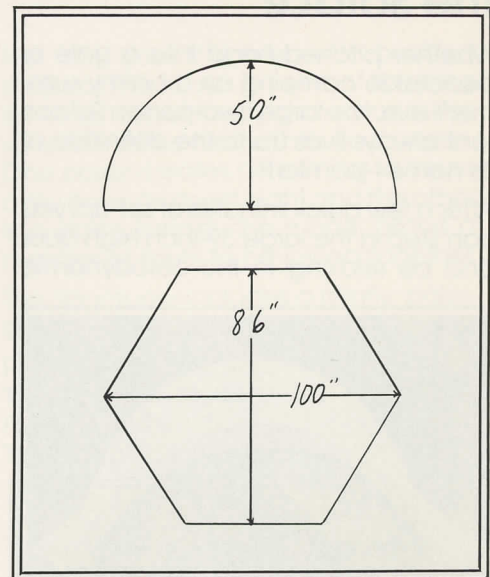
The Half Dome includes rainfly, poles, stakes, and stuff sack.

Pole Weight: 1 lb., 5 oz.

Tent Weight: 4 lb., 2 oz.

Fly Weight: 1 lb., 12 oz.

Total Weight: 7 lb., 3 oz./Aluminum poles  
8 lb./Fiberglass poles





## The Equinox

The Equinox is a free-standing, very spacious, three to four person backpacking or mountaineering tent, and remains our first choice for all seasons use.

The true geodesic design allows the tent to be pitched very tautly and produces a self-supporting exostructure able to withstand the stresses of high winds and heavy snow loads. The 51-inch high canopy is sewn twice and then all seams are taped. The upper is composed of breathable 1.9 oz. ripstop nylon and the 18-inch bathtub floor is



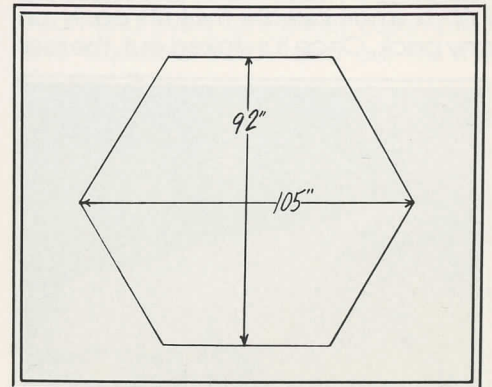
2.8 oz. Super K-Kote® nylon taffeta.

The Equinox can be set up swiftly by two people whether they are using the six equal-length, shockcorded aluminum poles or the optional, yet less expensive, fiberglass poles.

The spacious 50-inch wide entrance closes with a two-way zipper and is backed by zippered no-see-um netting

as are the two 43-inch wide windows.

The fly is constructed of 2.2 oz. Super K-Kote® nylon taffeta and features a fully-elasticized outside perimeter that keeps it taut even in the most adverse of conditions.



The Equinox includes rainfly, poles, stakes, and stuff sack.

Pole Weight: 3 lb., 7 oz.

Tent Weight: 5 lb.

Fly Weight: 1 lb., 14 oz.

Total Weight: 10 lbs., 5 oz./

Aluminum poles  
11 lbs., 10 oz./

Fiberglass poles



## The Moonlight Mesh

The Moonlight Mesh Tent is a bright, airy, two-person shelter perfect for the tropical outdoors.

The three hoop design is easily and rapidly set up and just as quickly collapses into a small bundle that fits easily on any pack. Once it's staked out, the rear



door backed by a mesh panel. Once inside, there is ample room to stretch out since the tent is an incredible eight feet long. The hiker is allowed to lay happily gazing at the stars, protected from the bugs outside by the expanse of no-see-um mesh that won't allow even the smallest critter inside.

The full fly drops down past the 10-inch bathtub floor to form an effective seal in that area should the stargazer get caught in a storm. At the front and rear hoop the fly is held in place by buckled straps to prevent slipping and allow for a tight rain cover.

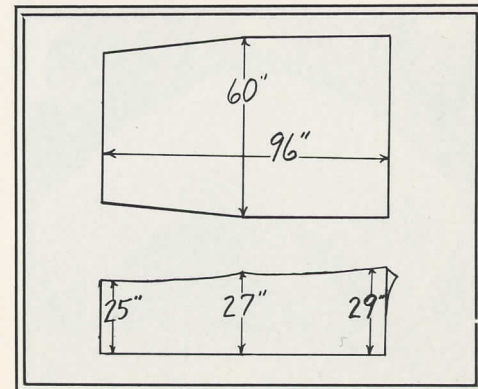


The full fly drops down past the 10-inch bathtub floor to form an effective seal in that area should the stargazer get caught in a storm. At the front and rear hoop the fly is held in place by buckled straps to prevent slipping and allow for a tight rain cover.

The full fly drops down past the 10-inch bathtub floor to form an effective seal in that area should the stargazer get caught in a storm. At the front and rear hoop the fly is held in place by buckled straps to prevent slipping and allow for a tight rain cover.

The Moonlight Mesh Tent includes a rainfly, fiberglass poles, stakes, and stuff sack.

Pole Weight: 1 lb., 8 oz.  
Tent Weight: 2 lb., 12 oz.  
Fly Weight: 12 oz.  
Total Weight: 4 lb., 12 oz.

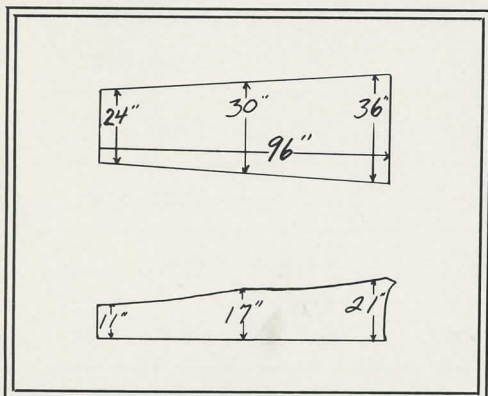




## The Bivy Shelter

The Bivy Shelter, at just over two pounds, is the perfect lightweight answer for the lone adventurer, whether bicyclist or alpinist.

Unlike others, this unique design allows for entry without snow and rain following because of its covered vertical door.



It also ventilates well. The rear has a Super K-Kote® panel backed by a no-see-um mesh window.

The three fiberglass hoops are all equal length for easy set up and the third hoop keeps the Gore-Tex® top away

from the sleeping bag and gives a feeling of spaciousness. The floor is a full 30 inches wide and has four-inch bathtub sides.

The eight-foot floor is constructed of 2.8 oz. Super K-Kote® nylon taffeta. The entire seamless top is Gore-Tex® laminated nylon taffeta. The Gore-Tex® is protected by a third layer of nylon tricot. Every seam of the Bivy Shelter has been sewn twice and then further strengthened with the addition of binding tape. When stuffed into the provided sack, the Bivy Shelter is only 4 x 5 inches and will fit into a forgotten nook of a rucksack or pannier.

The Bivy Shelter includes poles, stakes, and stuff sack.

Pole Weight: 6 oz.

Tent Weight: 1 lb., 12 oz.

Total Weight: 2 lb., 2 oz.

## Quality Guaranteed

At Wilderness Experience quality is insured through close inspection—scrutiny that begins when the fabric for a tent enters our door and continues

until the design is on a truck to our dealer.

In between there are inspections by supervisors throughout the sewing process. When the stitchery is complete each and every tent is fully assembled and explored inside and out for the slightest flaw.

Quality control is just one step in the journey from designers concept to finished product that guarantees the very best and allows you to share in our pride when using equipment labeled Wilderness Experience.





MODEL	FLOOR DIMENSIONS	HEIGHT AT HIGH POINT	POLE TYPE	CAPACITY	TOTAL WEIGHT*
The Bivy Shelter	96"x 36"	21 inches	3 fiberglass hoops	1	2 lbs., 2 oz.
The Moonlight Mesh	96"x 60"	29 inches	3 fiberglass hoops	2	4 lbs., 12 oz.
The Solace	102"x 74"	43 inches	3 fiberglass hoops	2	5 lbs., 14 oz.
The Sanctuary	89"x 62"	44 inches	4 fiberglass hoops	2	6 lbs., 3 oz.
The Half Dome Fiberglass Poles	100"x 100"	50 inches	3 fiberglass hoops	2-3	8 lbs.
The Half Dome Aluminum Poles	100"x 100"	50 inches	3 aluminum hoops	2-3	7 lbs., 3 oz.
The Equinox Dome Fiberglass Poles	105"x 105"	51 inches	6 fiberglass hoops	3-4	11 lbs., 10 oz.
The Equinox Dome Aluminum Poles	105"x 105"	51 inches	6 aluminum hoops	3-4	10 lbs., 5 oz.

\*All weights are approximate.

### WILDERNESS EXPERIENCE, INC.

20675 NORDHOFF STREET, CHATSWORTH, CA 91311

(213) 998-3000 • (800) 423-5331